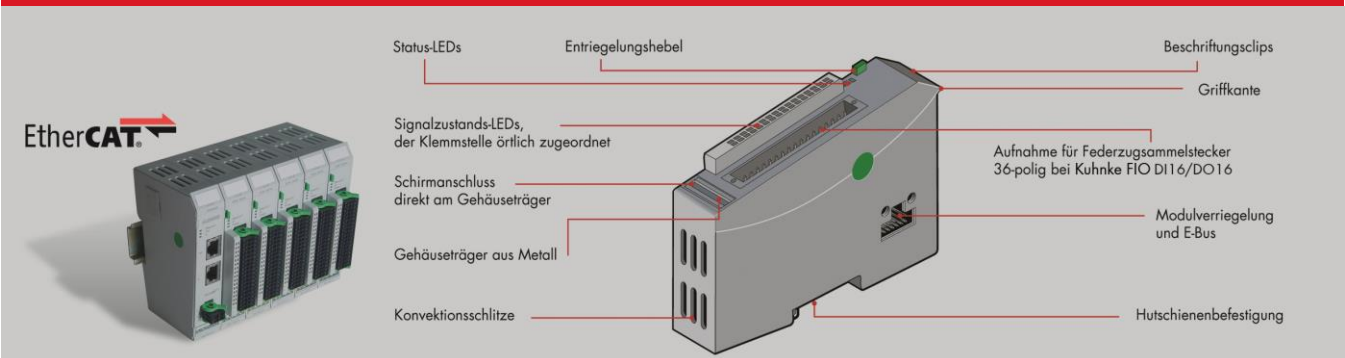


Kuhnke FIO analogue I/Os - CoE

Control Technology



Technical Data

Type	Input modules				Output modules	In-/ Output modules
Order no.	694 441 51	694 441 52	694 441 53	694 441 54	694 442 52	694 444 65
Channel/Type	4 / current	4(8) / voltage	8(16) / voltage	8 / current	4 / current + voltage	4 + 4 / current + voltage
Resolution	12 Bit	13 Bit	13 Bit	12 Bit	16 Bit	12 Bit / 16 Bit
Input signal range Unipolar / Bipolar (configurable per channel)	0(4)...20 mA	0...10 V / -10...+10 V	0...10 V / -10...+10 V	0(4)...20 mA		0(4)...20 mA 0...10 V
Output signal range Unipolar / Bipolar (configurable per channel)					0(4)...20 mA 0...24 mA 0...10 V / -10...+10 V	0(4)...20 mA 0...10 V / -10...+10 V

Type	Temperature input modules	
Order no.	694 443 57	694 443 57
Channel/Type (configurable per channel)	4 / PT100 / Ni100 oder PT1000 / Ni1000 or Thermo /Type J, K or mV	4 / PT100 / Ni100 oder PT1000 / Ni1000 or Thermo /Type J, K or mV
Resolution	16 Bit	16 Bit
Fieldbus	EtherCAT® 100 Mbit/s LVDS: E-Bus	
Mounting	35 mm DIN-Rail	
Indication	LED, assigned to the clamping point locally	
Transient emissions	Acc. EN 61000-6-2/ EN 61000-6-4	
Shield connection	Directly at module	
I/O connection	Spring-loaded plug with mechanical ejection	
Ambience conditions	0 °C...+55 °C, IP 20, Interference immunity Zone B acc. EN 61131-2	
Housing (W x H x D)	Aluminium, plastic, 25 x 120 x 90 mm	
Certifications	CE, cULus	

We reserve the rights of modification, omission, error with respect to the products. Illustrations similar. All rights reserved by the individual copyright holders. EtherCAT® is registered trademark and patented technology, licensed by Beckhoff Automation GmbH, Germany. Safety over EtherCAT® is registered trademark and patented technology, licensed by Beckhoff Automation GmbH, Germany. Microsoft®, Windows® and the Windows® Logo are registered trademarks of Microsoft Corporation in the USA and other countries. At www.plcopen.org you will find more information about PLCopen Organisation. CODESYS is a product of 3S-Smart Software Solutions GmbH. CIA® and CANopen® are registered community trademarks of CAN in Automation e.V. . PROFINET® is a registered trademark of PROFIBUS and PROFINET International (PI).