

Please read this documentation before you start working!

The 6-pole half-wave rectifiers conduce to supply electromagnetic DC-brakes and clutches with half-wave rectified AC voltage. Different application is only permitted with technical approval of INTORQ.

For DC-switching (see connection diagram "Shortened braking times") a spark-suppressor is integrated (terminals 5 and 6). Thereby the lifetime of the switching contact is improved. With the switching contact the coil power is switched. Please regard the note for rectifiers BEG-261-555 and BEG-262-555 in adjoining table.

Attention!

The terminals must be wired with copper conductors. The conductors may be solid or stranded and tinned in the end or stranded with cable end sleeve.

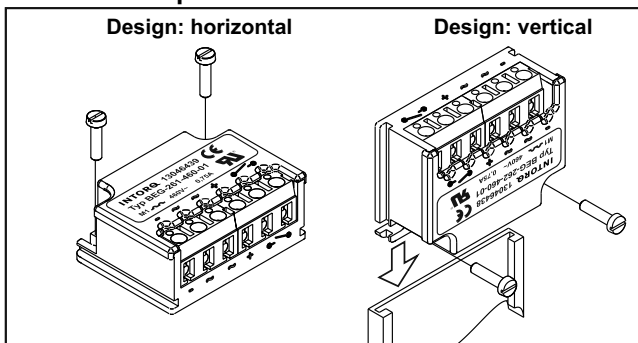
Stop!

Keep these instructions with the rectifier at all times! Install rectifier in the switch cabinet if the ambient temperature is too high!

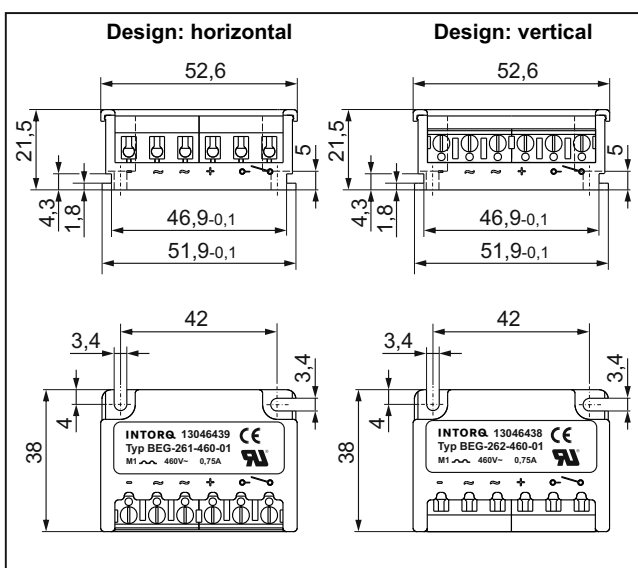
Danger

Always disconnect the equipment from the power supply when working on the rectifier!

Attachment options



Dimensions



Technical data

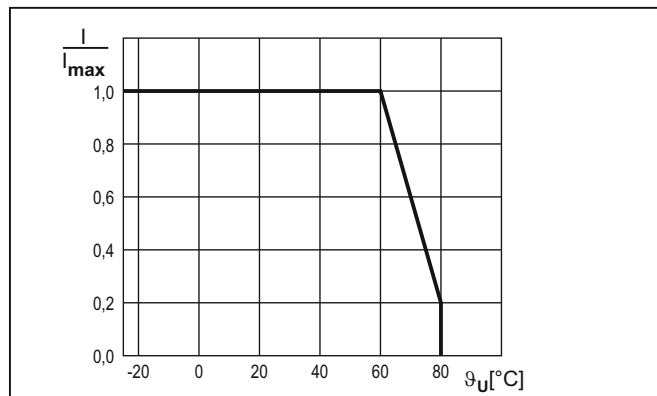
Rectifier type	Half-wave rectifier (M1)
Output voltage [V=]	0,45xU ₁
I _{max} at 60°C [A]	0,75
Ambient temperature (storage / operation) [°C]	-40...+80 (mounting: -20...+80) max +80
Wire cross section	0,5 ... 2,5mm ² / AWG20 ... AWG14
Tightening torque	0,45Nm (4 lbf in)
Stripping length	7mm

U₁ Input voltage (40...60Hz)

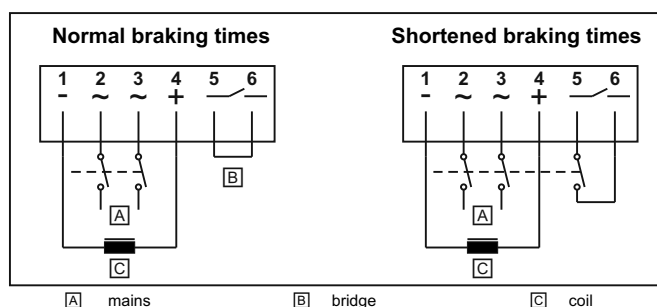
Type	Max. input voltage U _{1max} (40...60Hz) [V-]	Design
BEG-261-460-01	460 ^{+8%}	horizontal
BEG-262-460-01	460 ^{+8%}	vertical
BEG-261-555-01*	555 ^{+8%}	horizontal
BEG-262-555-01*	555 ^{+8%}	vertical

* Spark suppressor without capacitor. For optimum interference suppression, we recommend to use spark suppressor 14.198.00.04.

Permissible current load at ambient temperature



Connection



Coil voltage selection

Rated coil voltage	Function
U _{Sp} = 0,45xU ₁	Operation of the brake with rated coil voltage

U_{Sp} Rated coil voltage U₁ Input voltage (40 to 60 Hz)

All rights reserved.

Modifications: V03 603851 11.05.2021 Fuhrmann

Drawn:	11.05.2021	Fuhrmann
Checked:	11.05.2021	Küter

Kendrion INTORQ GmbH
31855 Aerzen

Drawing No.	Page
D.BEG.0003	2
Id. no. 13128174 DE/EN	of
	2