

## Linear Solenoids

## Solenoids & Actuators

Series LHP

### Linear Solenoids LHP035

The LHP035 is a square linear solenoid in a robust steel housing, which can be actuated either by pushing or pulling. In general, the stroke movement is from the stroke start to the stroke end position. The electromagnet is convincing in a wide range of applications with smallest space requirements and high forces.

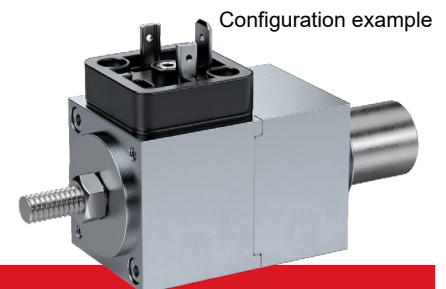
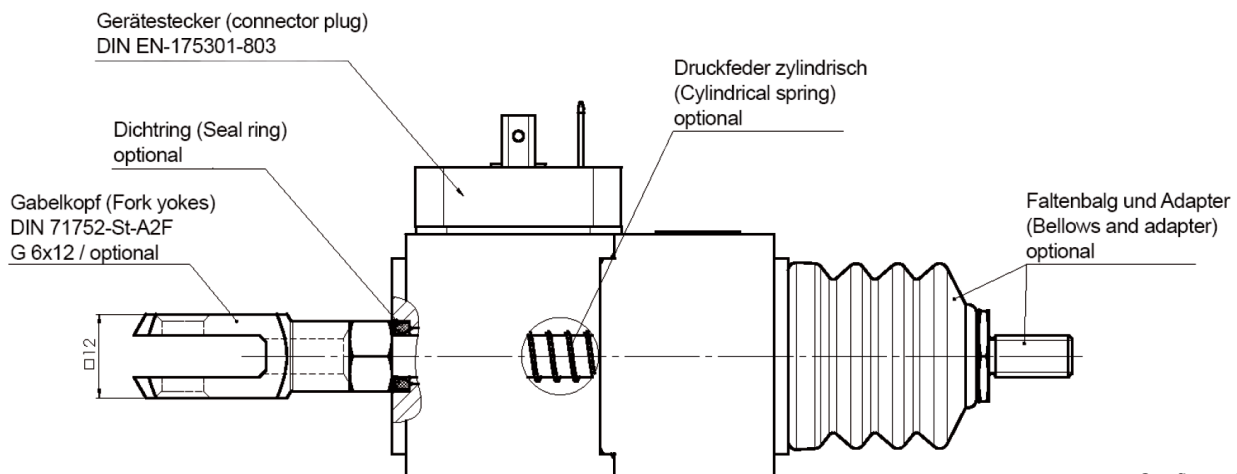
Depending on the area of application, the LHP035 can be optimally configured. The series can be configured with different duty cycles (**5, 25, 40 and 100% ED**) and different stroke variants (**5, 10, 15, 20 mm**).

The plug (= IP40), sealing ring and bellows (=IP54) provide an increased degree of protection. The reset can be carried out by means of an optional integrated spring. Special voltage variants are also available on request.

#### Benefits at a glance

- high forces with small installation space
- simple mounting due to square design
- short switching times
- low wear, 10 million switching cycles in long-term test
- wide range of configuration options

#### Illustration of the configuration options



Technical data <sup>1</sup>	
Dimensions (LxWxH)	53 x 35 x 35 mm
Stroke	5, 10, 15, 20 mm
Supply voltage	24V DC, other voltage variants on request
Duty cycle	5, 25, 40, 100 % DC
Force	max. 70 – 160 N (at 5% DC, 5mm stroke)
Protection class	Up to IP54
Return spring	No / Yes

<sup>1</sup> We reserve the rights of modification, omission, error with respect to the products. Illustrations similar. All rights reserved by the individual copyright holders.