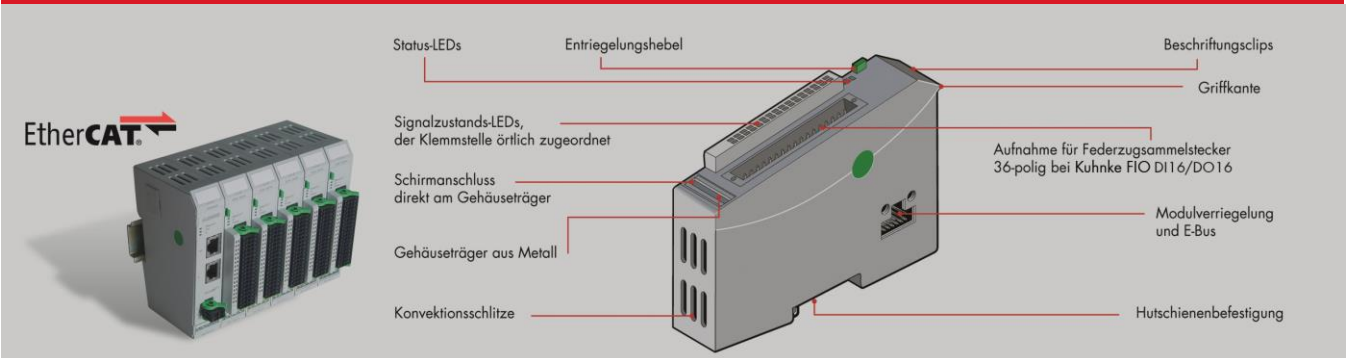


## Kuhnke FIO Kommunikation

## Control Technology



### Technische Daten

Typ	EtherCAT Buskoppler		EtherCAT Extender
Bestellnummer	694 400 00		694 400 02
Businterface RJ45	2 (In / Out)		2 (Out / Out)
Businterface E-Bus	1 (Out)		2 (In / Out)
Spannungsversorgung	24 V DC		-
Stromversorgung E-Bus	3 A		-
Typ	EtherCAT RS485 1 Port	EtherCAT RS232 2 Port	EtherCAT CAN Master/Slave
Bestellnummer	694 455 02	694 455 04	694 455 06
Schnittstelle	RS485 2400...115200 bit/s	RS232 2400...115200 bit/s	RS485 100...1000 kbit/s
Anschluss	Federzugsammelstecker mit mechanischem Auswerfer		
Feldbusanschluss	EtherCAT® 100 Mbit/s LVDS: E-Bus		
Montage	35 mm DIN Schiene		
Signalanzeige	LED, der Klemmstelle örtlich zugeordnet		
Schirmanschluss	Direkt am Modul		
Anschlussklemmen	Federzugsammelstecker mit mechanischem Auswerfer		
Umgebungsbedingungen	0 °C...+55 °C, IP 20, Störfestigkeit Zone B nach EN 61131-2		
Gehäuse (B x H x T)	Aluminiumträger, Kunststoff 25 x 120 x 90 mm		
Zulassungen	CE, cULus		

We reserve the rights of modification, omission, error with respect to the products. Illustrations similar. All rights reserved by the individual copyright holders. EtherCAT® is registered trademark and patented technology, licensed by Beckhoff Automation GmbH, Germany. Safety over EtherCAT® is registered trademark and patented technology, licensed by Beckhoff Automation GmbH, Germany. Microsoft®, Windows® and the Windows® Logo are registered trademarks of Microsoft Corporation in the USA and other countries. At [www.plcopen.org](http://www.plcopen.org) you will find more information about PLCopen Organisation. CODESYS is a product of 3S-Smart Software Solutions GmbH. CiA® and CANopen® are registered community trademarks of CAN in Automation e.V. . PROFINET® is a registered trademark of PROFIBUS and PROFINET International (PI).