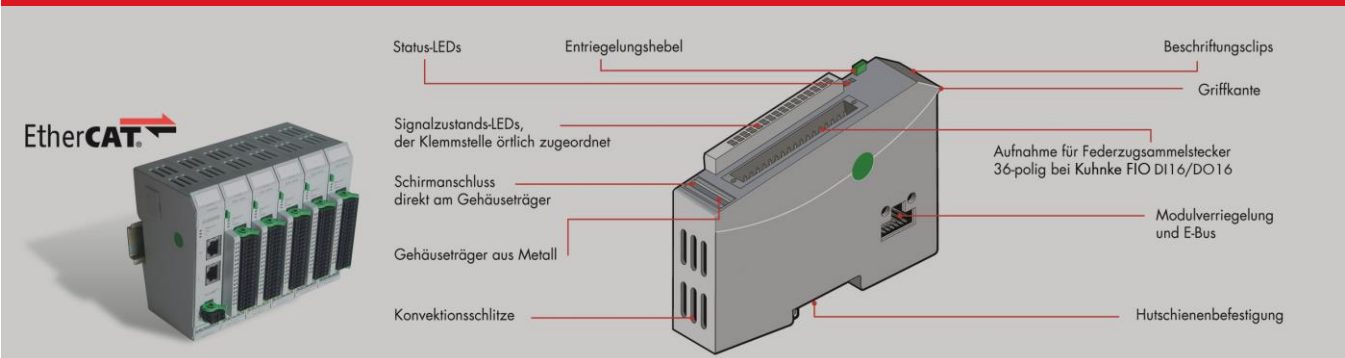


Kuhnke FIO Counter- and Encoder modules

Control Technology



Technical Data

Type	Counter	Counter / Posi	Counter / Encoder
Bestellnummer	694 444 01	694 454 01	694 454 53
Counter / Encoder interface	2 x RS422: 2 x 5/24V SE:	32 Bit, 200 kHz or 32 Bit, 200 kHz	2 x RS422: 32 Bit, 5 MHz or 2 x 5/24V SE: 32 Bit, 400 kHz or Six-Step enc.: 32 Bit, 8 kHz or event counter: 2 x HTL/TTL 32 Bit, 400 kHz (channel 0,3) 4 x HTL/TTL 32 Bit, 5 kHz (channel 1,2,4,5) or 2 x SSI: 18...32 Bit, 80...1000 Kbit/s or 2 x EnDat 2.2: 16...40 Bit, 100...2000 kHz
Digital Inputs	8 x 24 V 1ms	8 x 24 V 1ms	2 x Capture encoder, 2 x Ref. encoder; Input filter configurable(default: 1ms)
Digitale Outputs	2 x 24 V 2A	2 x 24 V 2A	-
Analogue Outputs	-	2 x -10 V...+10 V / 12 Bit	-
Fieldbus	EtherCAT® 100 Mbit/s LVDS: E-Bus		
Mounting	35 mm DIN-Rail		
Indication	LED, assigned to the clamping point locally		
Transient emission	Acc. EN 61000-6-2/ EN 61000-6-4		
Shield connection	Directly at module		
I/O connection	Spring- loaded plug with mechanical ejection		
Ambience conditions	0 °C ...+55 °C, IP 20, Interference immunity Zone B per EN 61131-2		
Housing (W x H x D)	Aluminum, plastic, 25 x 120 x 90 mm		
Certifications	CE, cULus		

We reserve the rights of modification, omission, error with respect to the products. Illustrations similar. All rights reserved by the individual copyright holders. EtherCAT® is registered trademark and patented technology, licensed by Beckhoff Automation GmbH, Germany. Safety over EtherCAT® is registered trademark and patented technology, licensed by Beckhoff Automation GmbH, Germany. Microsoft®, Windows® and the Windows® Logo are registered trademarks of Microsoft Corporation in the USA and other countries. At www.plcopen.org you will find more information about PLCopen Organisation. CODESYS is a product of 3S-Smart Software Solutions GmbH. CiA® and CANopen® are registered community trademarks of CAN in Automation e.V. . PROFINET® is a registered trademark of PROFIBUS and PROFINET International (PI).