

EtherCAT®

CANopen®

Kuhnke FIO I/O System

Product Manual: Digital I/O Modules

12/03/2024

Table of Contents

- 1 Preface5
 - 1.1 Legal Notice.....5
 - 1.2 About this Manual.....5
- 2 Digital I/O Modules6
 - 2.1 Generalities6
 - 2.1.1 Numeric Values6
 - 2.2 FIO DI16/DO16.....7
 - 2.2.1 Function.....7
 - 2.2.2 Front View7
 - 2.2.3 Connectors7
 - 2.2.4 Status LEDs8
 - 2.2.5 Process Data Objects8
 - 2.2.6 Technical Data9
 - 2.3 FIO DI16/DO16 LS (LowSide)10
 - 2.3.1 Function.....10
 - 2.3.2 Front View10
 - 2.3.3 Connectors10
 - 2.3.4 Status LEDs11
 - 2.3.5 Process Data Objects11
 - 2.3.6 Technical Data12
 - 2.4 FIO DI16/DO8.....13
 - 2.4.1 Function.....13
 - 2.4.2 Front View13
 - 2.4.3 Connectors13
 - 2.4.4 Status LEDs14
 - 2.4.5 Process Data Objects14
 - 2.4.6 Technical Data15
 - 2.5 FIO DI8/DO8.....16
 - 2.5.1 Function.....16
 - 2.5.2 Front View16
 - 2.5.3 Connectors16
 - 2.5.4 Status LEDs18
 - 2.5.5 Process Data Objects18
 - 2.5.6 Technical Data19
 - 2.6 FIO DI1620
 - 2.6.1 Function.....20
 - 2.6.2 Front View20
 - 2.6.3 Connectors20
 - 2.6.4 Status LEDs21
 - 2.6.5 Process Data Objects21
 - 2.6.6 Technical Data22
 - 2.7 FIO DI16 2-Wire23
 - 2.7.1 Function.....23
 - 2.7.2 Front View23
 - 2.7.3 Connectors23
 - 2.7.4 Status LEDs25
 - 2.7.5 Process Data Objects25
 - 2.7.6 Technical Data26

- 2.8 FIO DI16 2-Wire GI.....27
 - 2.8.1 Function.....27
 - 2.8.2 Front View27
 - 2.8.3 Connectors27
 - 2.8.4 Status LEDs28
 - 2.8.5 Process Data Objects28
 - 2.8.6 Technical Data29
- 2.9 FIO DI3230
 - 2.9.1 Function.....30
 - 2.9.2 Front View30
 - 2.9.3 Connectors30
 - 2.9.4 Status LEDs31
 - 2.9.5 Process Data Objects31
 - 2.9.6 Technical Data32
- 2.10 FIO DO833
 - 2.10.1 Function.....33
 - 2.10.2 Front View33
 - 2.10.3 Connectors33
 - 2.10.4 Status LEDs35
 - 2.10.5 Process Data Objects35
 - 2.10.6 Technical Data36
- 2.11 FIO DO1637
 - 2.11.1 Function.....37
 - 2.11.2 Front View37
 - 2.11.3 Connectors37
 - 2.11.4 Status LEDs39
 - 2.11.5 Process Data Objects39
 - 2.11.6 Technical Data40
- 2.12 FIO DO16 2-Wire41
 - 2.12.1 Function.....41
 - 2.12.2 Front View41
 - 2.12.3 Connectors41
 - 2.12.4 Status LEDs42
 - 2.12.5 Process Data Objects42
 - 2.12.6 Technical Data43
- 2.13 FIO DO8 NO Relay 24V (Discontinued)44
 - 2.13.1 Function.....44
 - 2.13.2 Front View44
 - 2.13.3 Connectors44
 - 2.13.4 Status LEDs45
 - 2.13.5 Process Data Objects45
 - 2.13.6 Technical Data46
- 2.14 FIO DO8 NO Relay 230VAC (Discontinued)47
 - 2.14.1 Function.....47
 - 2.14.2 Front View47
 - 2.14.3 Connectors47
 - 2.14.4 Status LEDs48
 - 2.14.5 Process Data Objects48
 - 2.14.6 Technical Data49
- 2.15 FIO DO8 Relais NO50

- 2.15.1 Function.....50
- 2.15.2 Front View50
- 2.15.3 Connectors50
- 2.15.4 Danger and warning notices51
- 2.15.5 Status LEDs52
- 2.15.6 Process Data Objects52
- 2.15.7 Function Notes52
- 2.15.8 Technical Data53
- 3 Appendix.....54
 - 3.1 Order data54
 - 3.1.1 Modules.....54
 - 3.1.2 Accessories54

1 Preface

1.1 Legal Notice

Contact Details

Kendrion Kuhnke Automation GmbH
Industrial Control Systems
Lütjenburger Str. 101
D-23714 Malente
Germany

Support (phone) +49 4523 402-300
Support (email) controltechnology-ics@kendrion.com
Switchboard +49 4523 402-0
Sales (email) sales-ics@kendrion.com
Internet www.kendrion.com

Document History

Modification History

Date	Comments / Modifications
12.03.2024	New document structure created according to module groups

1.2 About this Manual

This technical information is primarily directed to system designers, project engineers and device developers. It does not contain any availability information. We reserve the rights for errors, omissions and modifications. Pictures are similar.

This product manual extends the system, installation and safe handling information provided by the Kuhnke FIO System Manual. This product manual only applies in conjunction with the system manual.

2 Digital I/O Modules

2.1 Generalities

The range of digital I/O modules comprises all Kuhnke FIO modules equipped with just digital inputs or digital outputs or with both digital inputs and outputs.

2.1.1 Numeric Values

As a general rule, numeric values are shown as decimals.

A prefixed 0x marks hexadecimal values (example: 0xFFFF)

A prefixed 0b marks binary values (example: 0b01010011)

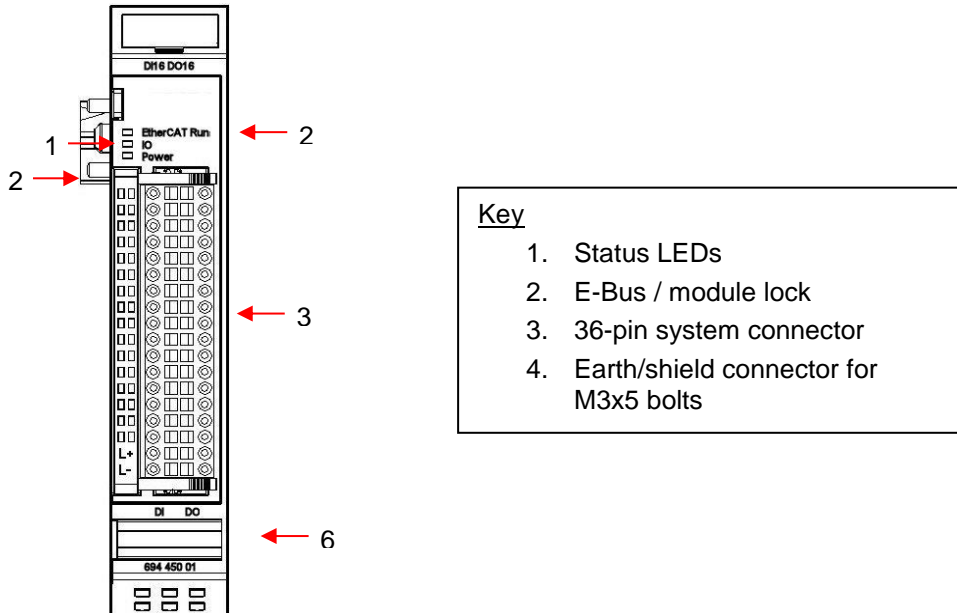
Objects from the object dictionary generally show as hexadecimal value.

2.2 FIO DI16/DO16

2.2.1 Function

Digital input/output module with 16 inputs and 16 outputs (high side switching)

2.2.2 Front View



2.2.3 Connectors

I/O Power Supply (Load)

System connector pin 16: L+ 24 VDC
 System connector pin 17: L- 0 V

Digital Inputs

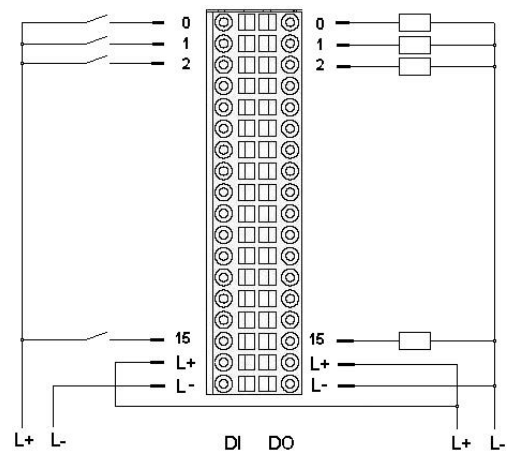
Left row of pins of system connector, pins 0...15

Digital Outputs

Right row of pins of system connector, pins 0...15

EtherCAT

E-Bus IN female 10-pole connector
 E-Bus Out 10-pole multi-pin connector



NOTE

The output drivers have a thermal fuse to automatically turn off any short-circuited outputs. In case the short circuit prevails, the outputs are allowed to cool down to be turned back on until the thermal fuse blows again.

2.2.4 Status LEDs

LED "EtherCAT Run":

State	LED flash code	Explanation
Init	Off	Initialising, no data exchange
Pre-Op	Off/green, 1:1	Pre-operational, no data exchange
Safe-Op	Off/green, 5:1	Safe operation, inputs readable
Op	Green, on	Operational, unrestricted data exchange

LED "IO"

State	LED	Explanation
Ok	Off	No error
SC	Red, flashing	Short-circuited digital output

LED "Power"

State	LED	Explanation
On	Green	24 VDC supply to I/Os (load) ok
Off	Off	24 VDC supply not ok

LED "Channel"

State	LED	Explanation
On	On	Input signal TRUE / output enabled
Off	Off	Input signal FALSE / output disabled

2.2.5 Process Data Objects

Variable	Data type	Explanation
DigitalOutput0 ... DigitalOutput15	BOOL	Digital outputs 0 ... 15
DigitalInput0 ... DigitalInput15	BOOL	Digital inputs 0 ... 15

2.2.6 Technical Data

Digital inputs	16
Rising delay	1 ms / 5 ms (typical)
Signal level	Off: -3V ... 5V (EN 61131-3, type 1)
	On: 15V ... 30V
Digital outputs	16
Max. current	0.5 A each
Max. total current	8 A
I/O / power connection	36-pin male
EtherCAT slave controller	ASIC ET1200
E-bus connector	10-pole system plug in side wall
E-bus load	135 mA
Power supply	24 VDC (-15% ... +20%)
Electrical insulation	500V E-Bus / power supply
Part no.	
Kuhnke FIO DI16/DO16 5ms/0.5A	694.450.01
Kuhnke FIO DI16/DO16 1ms/0.5A	694.450.03

Permits:.....

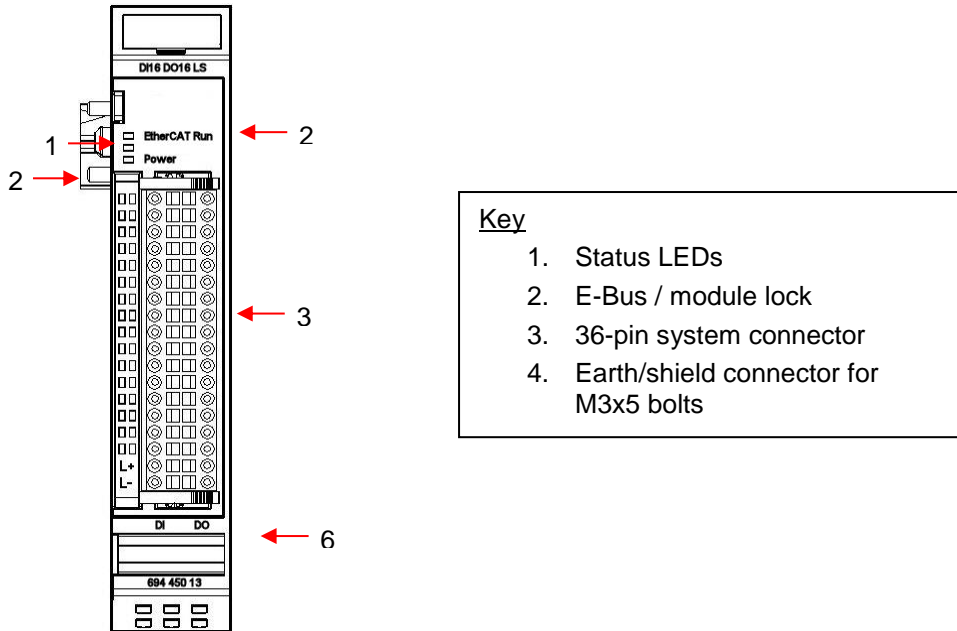


2.3 FIO DI16/DO16 LS (LowSide)

2.3.1 Function

Digital input/output module with 16 inputs and 16 outputs (low side switching)

2.3.2 Front View



2.3.3 Connectors

I/O Power Supply (Load)

System connector pin 16: L+ 24 VDC
 System connector pin 17: L- 0 V

Digital Inputs

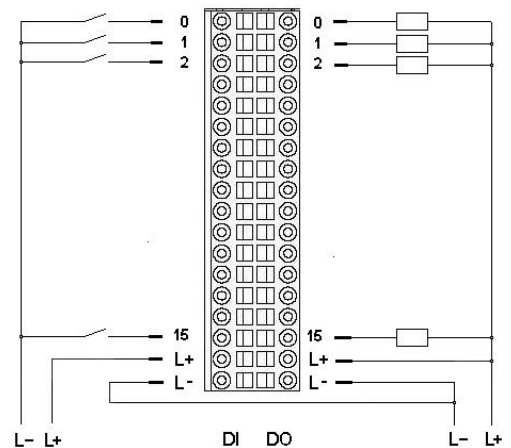
Left row of pins of system connector, pins 0...15

Digital Outputs

Right row of pins of system connector, pins 0...15

EtherCAT

E-Bus IN female 10-pole connector
 E-Bus Out 10-pole multi-pin connector



NOTE

The output drivers have a thermal fuse to automatically turn off any short-circuited outputs. In case the short circuit prevails, the outputs are allowed to cool down to be turned back on until the thermal fuse blows again.

2.3.4 Status LEDs

LED "EtherCAT Run"

State	LED flash code	Explanation
Init	Off	Initialising, no data exchange
Pre-Op	Off/green, 1:1	Pre-operational, no data exchange
Safe-Op	Off/green, 5:1	Safe operation, inputs readable
Op	Green, on	Operational, unrestricted data exchange

LED "IO"

State	LED	Explanation
Ok	Off	No error
SC	Red, flashing	Short-circuited digital output

LED "Power"

State	LED	Explanation
On	Green	24 VDC supply to I/Os (load) ok
Off	Off	24 VDC supply not ok

LED "Channel"

State	LED	Explanation
On	On	Input signal TRUE / output enabled
Off	Off	Input signal FALSE / output disabled

2.3.5 Process Data Objects

Variable	Data type	Explanation
DigitalOutput0 ... DigitalOutput15	BOOL	Digital outputs 0 ... 15
DigitalInput0 ... DigitalInput15	BOOL	Digital inputs 0 ... 15

2.3.6 Technical Data

Digital inputs	16
Rising delay	1 ms (typical)
Logic level.....	On: -3 ... 5V
	Off: 15V ... 30V
Input current	2mA (typical)
Digital outputs.....	16
Max. current.....	0.5 A each
Max. total current.....	8 A
I/O / power connection.....	36-pin male
EtherCAT slave controller.....	ASIC ET1200
E-bus connector	10-pole system plug in side wall
E-bus load.....	135 mA
Power supply	24 VDC (-15% ... +20%)
Electrical insulation.....	500V E-Bus / power supply
Part no.	694.450.13

Permits:.....

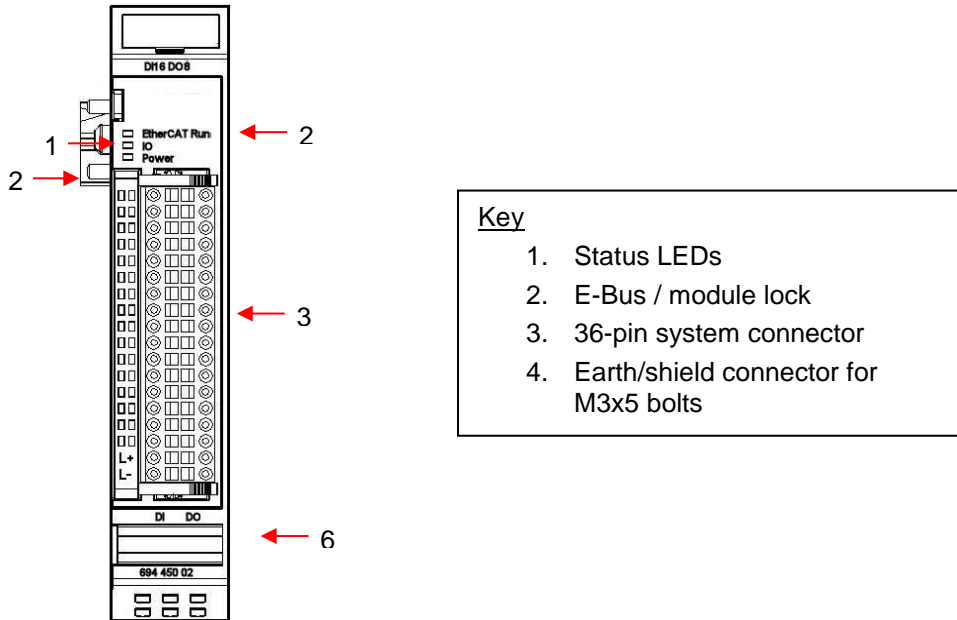


2.4 FIO DI16/DO8

2.4.1 Function

Digital input/output module with 16 inputs and 8 outputs (high side switching)

2.4.2 Front View



2.4.3 Connectors

I/O Power Supply (Load)

System connector pin 16: L+ 24 VDC
 System connector pin 17: L- 0 V

Digital Inputs

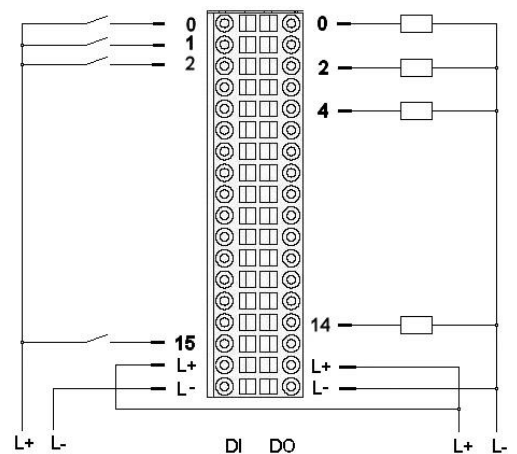
Left row of pins of system connector, pins 0...15

Digital Outputs

Right row of pins of system connector, pins 0, 2...12, 14

EtherCAT

E-Bus IN female 10-pole connector
 E-Bus Out 10-pole multi-pin connector



NOTE

The output drivers have a thermal fuse to automatically turn off any short-circuited outputs. In case the short circuit prevails, the outputs are allowed to cool down to be turned back on until the thermal fuse blows again.

2.4.4 Status LEDs

LED "EtherCAT Run"

State	LED flash code	Explanation
Init	Off	Initialising, no data exchange
Pre-Op	Off/green, 1:1	Pre-operational, no data exchange
Safe-Op	Off/green, 5:1	Safe operation, inputs readable
Op	Green, on	Operational, unrestricted data exchange

LED "IO"

State	LED	Explanation
Ok	Off	No error
SC	Red, flashing	Short-circuited digital output

LED "Power"

State	LED	Explanation
On	Green	24 VDC supply to I/Os (load) ok
Off	Off	24 VDC supply not ok

LED "Channel"

State	LED	Explanation
On	On	Input signal TRUE / output enabled
Off	Off	Input signal FALSE / output disabled

2.4.5 Process Data Objects

Variable	Data type	Explanation
DigitalOutput0 ... DigitalOutput7	BOOL	Digital outputs 0 ... 7
DigitalInput0 ... DigitalInput15	BOOL	Digital inputs 0 ... 15

2.4.6 Technical Data

Digital inputs	16
Rising delay	1 ms (typical)
Signal level	Off: -3V ... 5V (EN 61131-3, type 1)
	On: 15V ... 30V
Digital outputs	8
Max. current	1.0 A each
Max. total current	8 A
I/O / power connection	36-pin male
EtherCAT slave controller	ASIC ET1200
E-bus connector	10-pole system plug in side wall
E-bus load	135 mA
Power supply	24 VDC (-15% ... +20%)
Electrical insulation	500V E-Bus / power supply
Part no.	694.450.02

Permits:.....

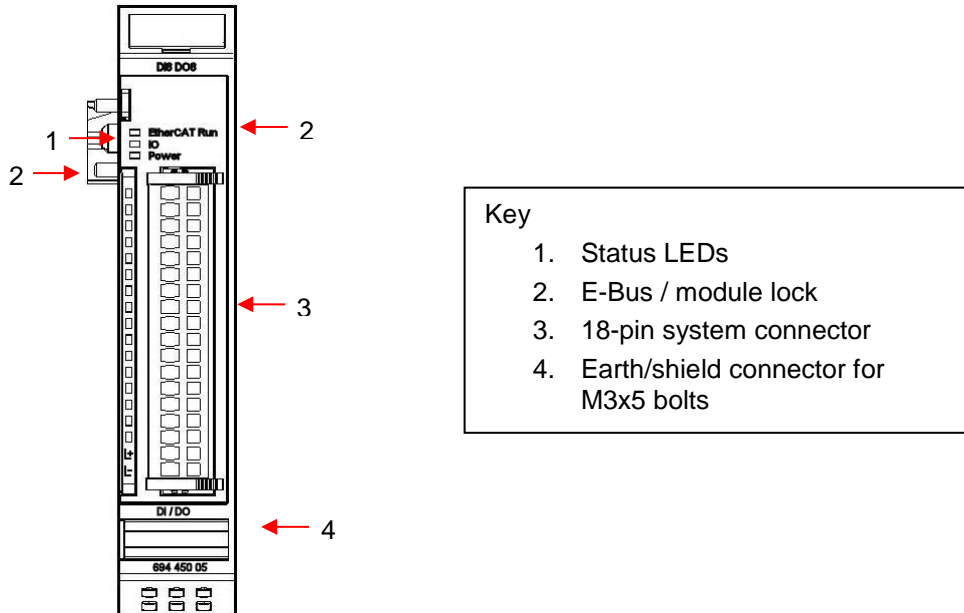


2.5 FIO DI8/DO8

2.5.1 Function

Digital input/output module with 8 inputs and 8 outputs (high side switching)

2.5.2 Front View



2.5.3 Connectors

I/O Power Supply (Load)

System connector pin 16: L+ 24 VDC
 System connector pin 17: L- 0 V

Digital Inputs

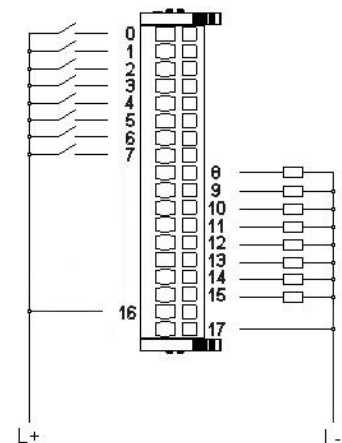
System connector pins 0 ... 7

Digital Outputs

System connector pins 8 ... 15

EtherCAT

E-Bus IN female 10-pole connector
 E-Bus Out 10-pole multi-pin connector



	NOTE
	<p><i>The output drivers have a thermal fuse to automatically turn off any short-circuited outputs. In case the short circuit prevails, the outputs are allowed to cool down to be turned back on until the thermal fuse blows again.</i></p>

2.5.4 Status LEDs

LED "EtherCAT Run"

State	LED flash code	Explanation
Init	Off	Initialising, no data exchange
Pre-Op	Off/green, 1:1	Pre-operational, no data exchange
Safe-Op	Off/green, 5:1	Safe operation, inputs readable
Op	Green, on	Operational, unrestricted data exchange

LED "IO"

State	LED	Explanation
Ok	Off	No error
SC	Red, flashing	Short-circuited digital output

LED "Power"

State	LED	Explanation
On	Green	24 VDC supply to I/Os (load) ok
Off	Off	24 VDC supply not ok

LED "Channel"

State	LED	Explanation
On	On	Input signal TRUE / output enabled
Off	Off	Input signal FALSE / output disabled

LED "Channel"

State	LED	Explanation
On	On	Input signal TRUE / output enabled
Off	Off	Input signal FALSE / output disabled

2.5.5 Process Data Objects

Variable	Data type	Explanation
DigitalOutput0 ... DigitalOutput7	BOOL	Digital outputs 0 ... 7
DigitalInput0 ... DigitalInput7	BOOL	Digital inputs 0 ... 7

2.5.6 Technical Data

Digital inputs	8
Rising delay	1 ms / 5 ms (typical)
)	
Signal level	Off: -3V ... 5V (EN 61131-3, type 1)
	On: 15V ... 30V
Digital outputs	8
Max. current	0.5 A each
Max. total current	8 A
I/O / power connection	18-pin male
EtherCAT slave controller	ASIC ET1200
E-bus connector	10-pole system plug in side wall
E-bus load	135 mA
Power supply	24 VDC (-15% ... +20%)
Part no.	
Kuhnke FIO DI8/DO8 5ms/0.5A	694.450.04
Kuhnke FIO DI8/DO8 1ms/0.5A	694.450.05

Permits:.....

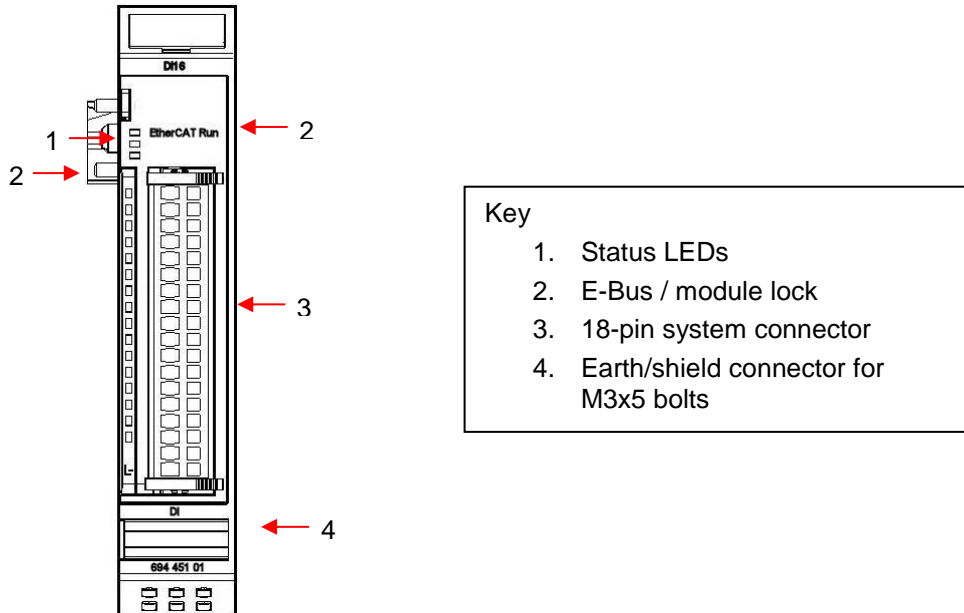


2.6 FIO DI16

2.6.1 Function

Digital input module with 16 inputs

2.6.2 Front View



2.6.3 Connectors

I/O Power Supply (Load)

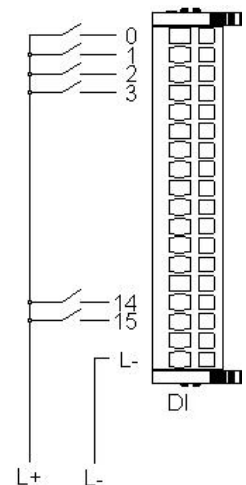
System connector pin 17: L- 0 V

Digital Inputs

System connector pins 0 ... 15

EtherCAT

E-Bus IN female 10-pole connector
 E-Bus Out 10-pole multi-pin connector



2.6.4 Status LEDs

LED "EtherCAT Run":

State	LED flash code	Explanation
Init	Off	Initialising, no data exchange
Pre-Op	Off/green, 1:1	Pre-operational, no data exchange
Safe-Op	Off/green, 5:1	Safe operation, inputs readable
Op	Green, on	Operational, unrestricted data exchange

LED "IO"

No

LED "Power"

No

LED "Channel"

State	LED	Explanation
On	On	Input signal = TRUE
Off	Off	Input signal = FALSE

2.6.5 Process Data Objects

Variable	Data type	Explanation
DigitalInput0 ... DigitalInput15	BOOL	Digital inputs 0 ... 15

2.6.6 Technical Data

Digital inputs	16
Rising delay	1 ms (typical)
Signal level	Off: -3V ... 5V (EN 61131-3, type 1)
	On: 15V ... 30V
I/O / power connection.....	18-pin male
EtherCAT slave controller.....	ASIC ET1200
E-bus connector	10-pole system plug in side wall
E-bus load.....	100 mA
Power supply	24 VDC (-15% ... +20%)
Electrical insulation.....	500V E-Bus / power supply
Part no.	
Kuhnke FIO DI16, 1ms.....	694.451.03

Permits:.....

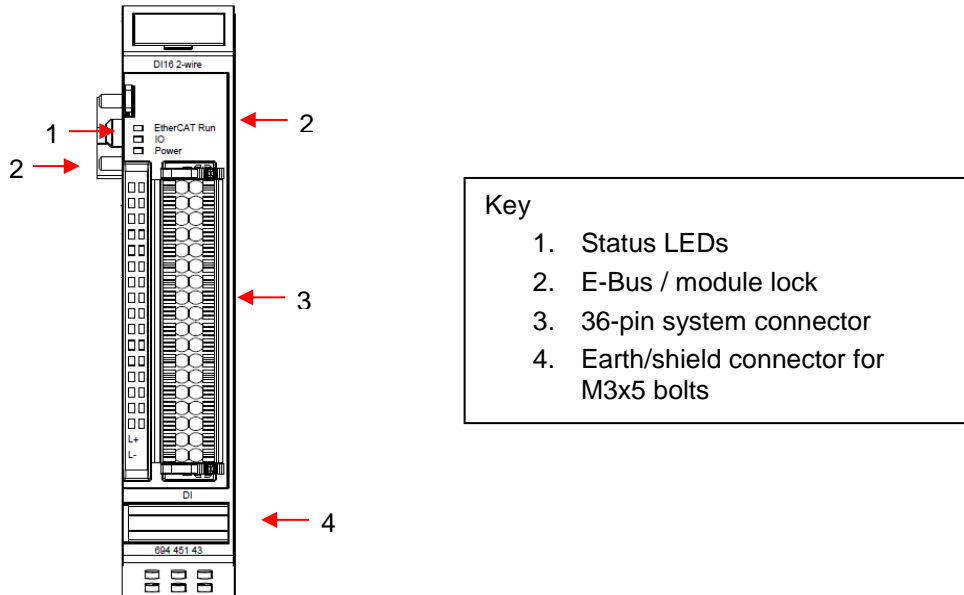


2.7 FIO DI16 2-Wire

2.7.1 Function

Digital input module with 16 inputs and 24V supply of the 2-wire connector

2.7.2 Front View



2.7.3 Connectors

I/O Power Supply (Load)

System connector pin 16: L+ 24 VDC
 System connector pin 17: L- 0 V

Digital Inputs

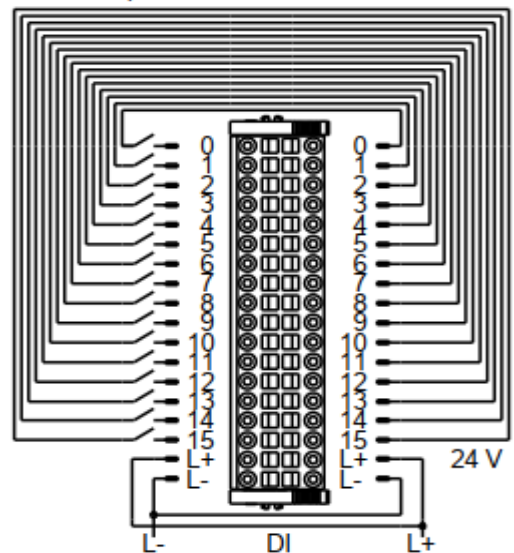
Left row of pins of system connector, pins 0...15

24V 2-wire Connector

Right row of pins of system connector, pins 0...15

EtherCAT

E-Bus IN female 10-pole connector
 E-Bus Out 10-pole multi-pin connector



	CAUTION
<i>The 24V outputs are designed for use with the module inputs only.</i>	



NOTE

The output drivers have a thermal fuse to automatically turn off any short-circuited outputs. In case the short circuit prevails, the outputs are allowed to cool down to be turned back on until the thermal fuse blows again.

2.7.4 Status LEDs

LED "EtherCAT Run"

State	LED flash code	Explanation
Init	Off	Initialising, no data exchange
Pre-Op	Off/green, 1:1	Pre-operational, no data exchange
Safe-Op	Off/green, 5:1	Safe operation, inputs readable
Op	Green, on	Operational, unrestricted data exchange

LED "IO"

No

LED "Power"

State	LED	Explanation
On	Green	24 VDC supply to I/Os (load) ok
Off	Off	24 VDC supply not ok

LED "Channel"

State	LED	Explanation
On	On	Input signal = TRUE
Off	Off	Input signal = FALSE

2.7.5 Process Data Objects

Variable	Data type	Explanation
DigitalInput0 ... DigitalInput15	BOOL	Digital inputs 0 ... 15

2.7.6 Technical Data

Digital inputs	16	(+16 x 24VDC, max. 1A each)
Rising delay	1 ms	(typical)
Signal level	Off:	-3V ... 5V (EN 61131-3, type 1)
	On:	15V ... 30V
I/O / power connection.....	36-pin male	
EtherCAT slave controller.....	ASIC ET1200	
E-bus connector	10-pole system plug in side wall	
E-bus load.....	110 mA	
Power supply	24 VDC (-15% ... +20%)	
Electrical insulation.....	500V E-Bus / power supply	
Part no.		
Kuhnke FIO DI16, 1ms	694.451.43	



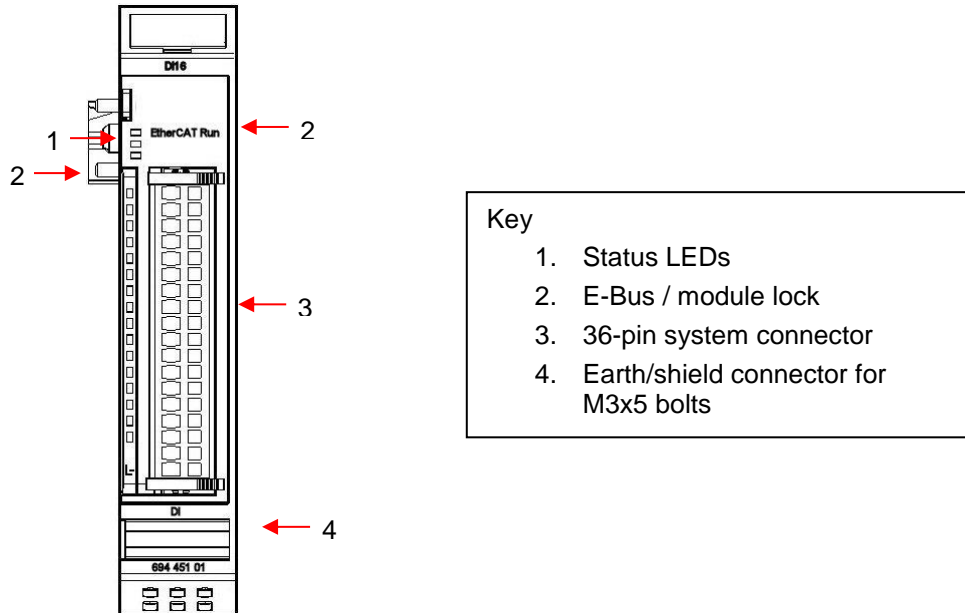
Permits:.....

2.8 FIO DI16 2-Wire GI

2.8.1 Function

Digital input module with 16 galvanically isolated inputs

2.8.2 Front View



2.8.3 Connectors

I/O Power Supply (Load)

Not required

Digital Inputs (+)

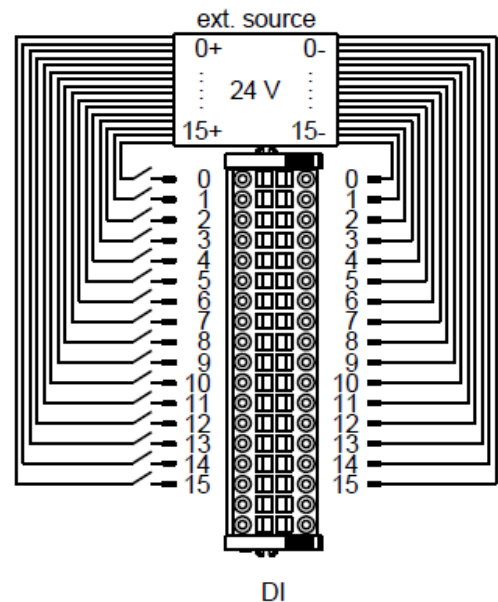
Left row of pins of system connector, pins 0...15

Digital Inputs (-)

Right row of pins of system connector, pins 0...15

EtherCAT

E-Bus IN female 10-pole connector
 E-Bus Out 10-pole multi-pin connector



2.8.4 Status LEDs

LED "EtherCAT Run"

State	LED flash code	Explanation
Init	Off	Initialising, no data exchange
Pre-Op	Off/green, 1:1	Pre-operational, no data exchange
Safe-Op	Off/green, 5:1	Safe operation, inputs readable
Op	Green, on	Operational, unrestricted data exchange

LED "IO"

No

LED "Power"

No

LED "Channel"

State	LED	Explanation
On	On	Input signal = TRUE
Off	Off	Input signal = FALSE

2.8.5 Process Data Objects

Variable	Data type	Explanation
DigitalInput0 ... DigitalInput15	BOOL	Digital inputs 0 ... 15

2.8.6 Technical Data

Digital inputs	16 (electrically insulated)
Rising delay	1 ms (typical)
Signal level	Off: -3V ... 5V (EN 61131-3, type 1)
	On: 15V ... 30V
I/O / power connection.....	male 18-pin
EtherCAT slave controller.....	ASIC ET1200
E-bus connector	10-pole system plug in side wall
E-bus load.....	110 mA
Power supply	24 VDC (-15% ... +20%)
Electrical insulation.....	500V E-Bus / power supply / channels from channels
Part no.	
Kuhnke FIO DI16, 1ms.....	694.451.44

Permits:.....

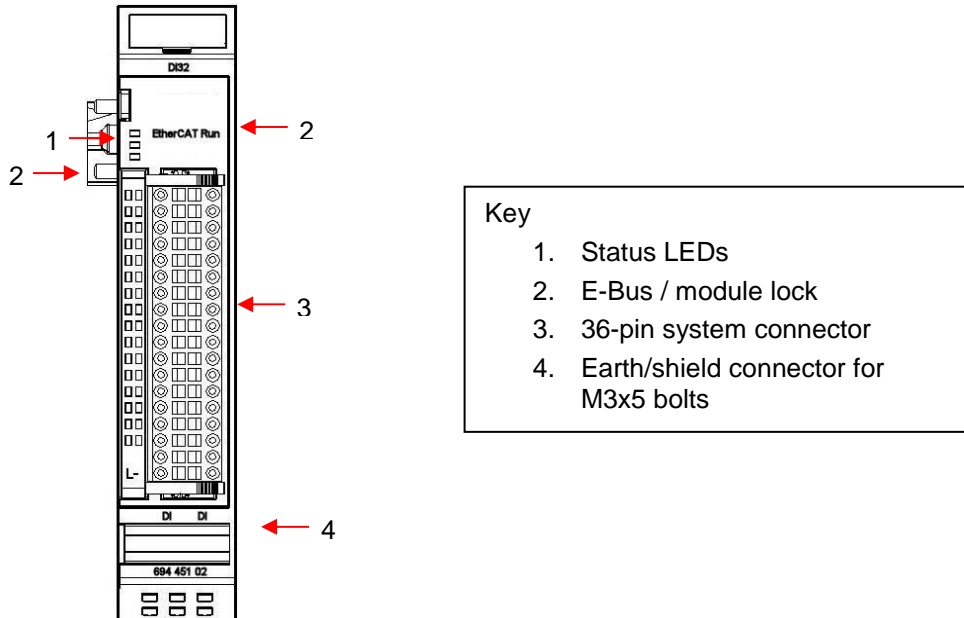


2.9 FIO DI32

2.9.1 Function

Digital input module with 32 inputs

2.9.2 Front View



2.9.3 Connectors

I/O Power Supply (Load)

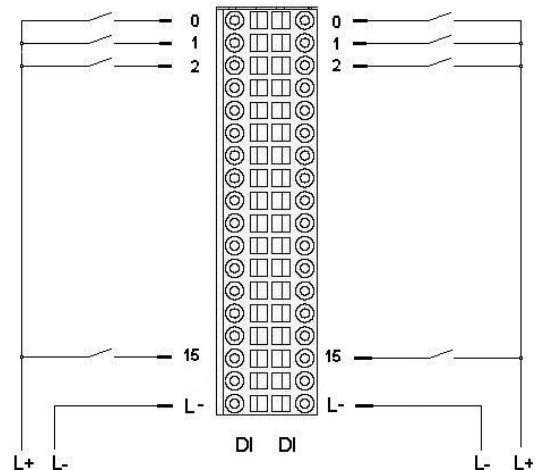
System connector pin 16: L+ 24 VDC
 System connector pin 17: L- 0 V

Digital Inputs

Left row of pins of system connector, pins 0...15
 Right row of pins of system connector, pins 0...15

EtherCAT

E-Bus IN female 10-pole connector
 E-Bus Out 10-pole multi-pin connector



2.9.4 Status LEDs

LED "EtherCAT Run":

State	LED flash code	Explanation
Init	Off	Initialising, no data exchange
Pre-Op	Off/green, 1:1	Pre-operational, no data exchange
Safe-Op	Off/green, 5:1	Safe operation, inputs readable
Op	Green, on	Operational, unrestricted data exchange

LED "IO"

No

LED "Power"

No

LED "Channel"

State	LED	Explanation
On	On	Input signal = TRUE
Off	Off	Input signal = FALSE

2.9.5 Process Data Objects

Variable	Data type	Explanation
DigitalInput0 ... DigitalInput31	BOOL	Digital inputs 0 ... 31

2.9.6 Technical Data

Digital inputs	32
Rising delay	1 ms (typical)
Signal level	Off: -3V ... 5V (EN 61131-3, type 1)
	On: 15V ... 30V
I/O / power connection.....	36-pin male
EtherCAT slave controller.....	ASIC ET1100
E-bus connector	10-pole system plug in side wall
E-bus load.....	85 mA
Power supply	24 VDC (-15% ... +20%)
Electrical insulation.....	500V E-Bus / power supply
Part no.	
Kuhnke FIO DI32, 1ms.....	694.451.02

Permits:.....

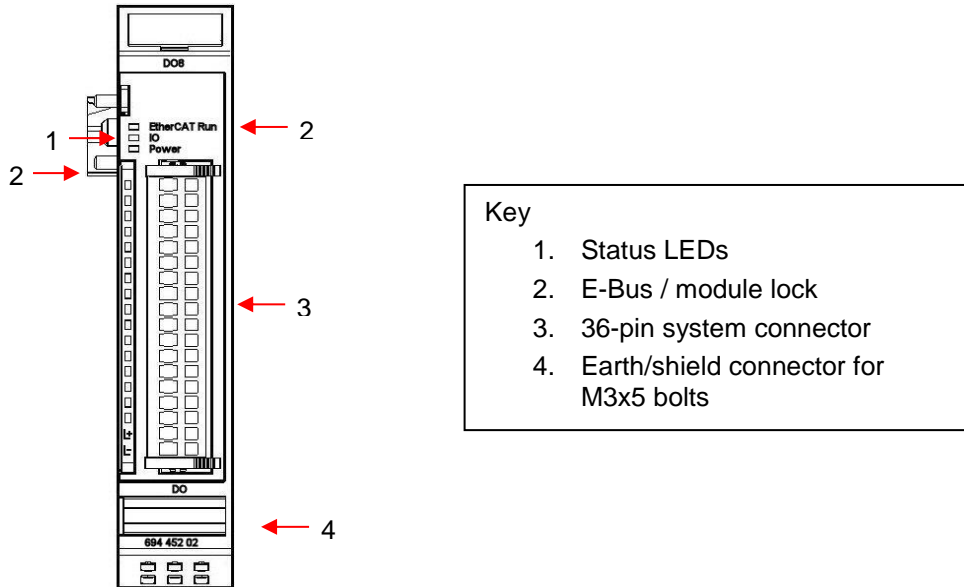


2.10 FIO DO8

2.10.1 Function

Digital output module with 8 outputs

2.10.2 Front View



2.10.3 Connectors

I/O Power Supply (Load)

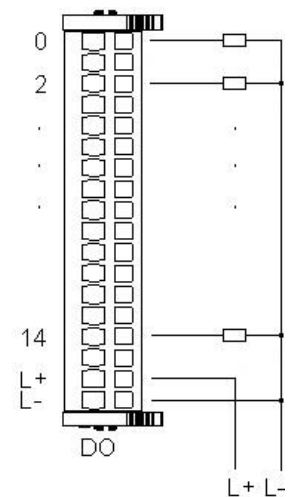
System connector pin 16:	L+	24 VDC
System connector pin 17:	L-	0 V

Digital Outputs

System connector pins 0, 2, ... 12, 14

EtherCAT

E-Bus IN	female 10-pole connector
E-Bus Out	10-pole multi-pin connector



NOTE

The output drivers have a thermal fuse to automatically turn off any short-circuited outputs. In case the short circuit prevails, the outputs are allowed to cool down to be turned back on until the thermal fuse blows again.

2.10.4 Status LEDs

LED "EtherCAT Run"

State	LED flash code	Explanation
Init	Off	Initialising, no data exchange
Pre-Op	Off/green, 1:1	Pre-operational, no data exchange
Safe-Op	Off/green, 5:1	Safe operation, inputs readable
Op	Green, on	Operational, unrestricted data exchange

LED "IO"

State	LED	Explanation
Ok	Off	No error
SC	Red, flashing	Short-circuited digital output

LED "Power"

State	LED	Explanation
On	Green	24 VDC supply to I/Os (load) ok
Off	Off	24 VDC supply not ok

LED "Channel"

State	LED	Explanation
On	On	Output enabled
Off	Off	Output disabled

2.10.5 Process Data Objects

Variable	Data type	Explanation
DigitalOutput0 ... DigitalOutput7	BOOL	Digital outputs 0 ... 7

2.10.6 Technical Data

Digital outputs.....	8
Max. current (694.452.02)	1.0A per output
Max. current (694.452.06)	2.0A per output
Max. total current.....	Σ 10A
I/O / power connection.....	male 18-pin
EtherCAT slave controller.....	ASIC ET1200
E-bus connector	10-pole system plug in side wall
E-bus load.....	130 mA
Power supply	24 VDC (-15% ... +20%)
Part no.	694.452.02

Permits:.....

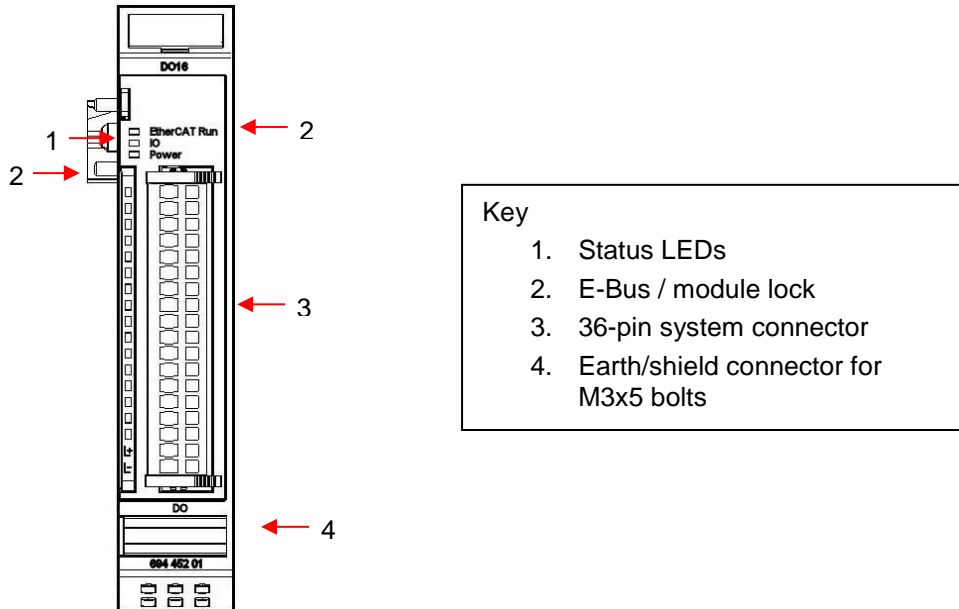


2.11 FIO DO16

2.11.1 Function

Digital output module with 16 outputs

2.11.2 Front View



2.11.3 Connectors

I/O Power Supply (Load)

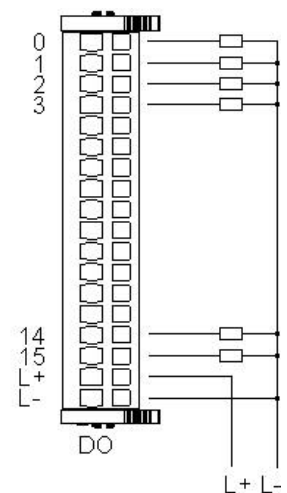
System connector pin 16: L+ 24 VDC
 System connector pin 17: L- 0 V

Digital Outputs

System connector pins 0 ... 15

EtherCAT

E-Bus IN female 10-pole connector
 E-Bus Out 10-pole multi-pin connector



	NOTE
<i>The output drivers have a thermal fuse to automatically turn off any short-circuited outputs. In case the short circuit prevails, the outputs are allowed to cool down to be turned back on until the thermal fuse blows again.</i>	

2.11.4 Status LEDs

LED "EtherCAT Run"

State	LED flash code	Explanation
Init	Off	Initialising, no data exchange
Pre-Op	Off/green, 1:1	Pre-operational, no data exchange
Safe-Op	Off/green, 5:1	Safe operation, inputs readable
Op	Green, on	Operational, unrestricted data exchange

LED "IO"

State	LED	Explanation
Ok	Off	No error
SC	Red, flashing	Short-circuited digital output

LED "Power"

State	LED	Explanation
On	Green	24 VDC supply to I/Os (load) ok
Off	Off	24 VDC supply not ok

LED "Channel"

State	LED	Explanation
On	On	Output enabled
Off	Off	Output disabled

2.11.5 Process Data Objects

Variable	Data type	Explanation
DigitalOutput0 ... DigitalOutput15	BOOL	Digital outputs 0 ... 15

2.11.6 Technical Data

Digital outputs.....	16
Max. current.....	0.5 A each
Max. total current.....	8 A
I/O / power connection.....	18-pin male
EtherCAT slave controller.....	ASIC ET1200
E-bus connector	10-pole system plug in side wall
E-bus load.....	130 mA
Power supply	24 VDC (-15% ... +20%)
Electrical insulation.....	500V E-Bus / power supply
Part no.	694.452.01

Permits:.....

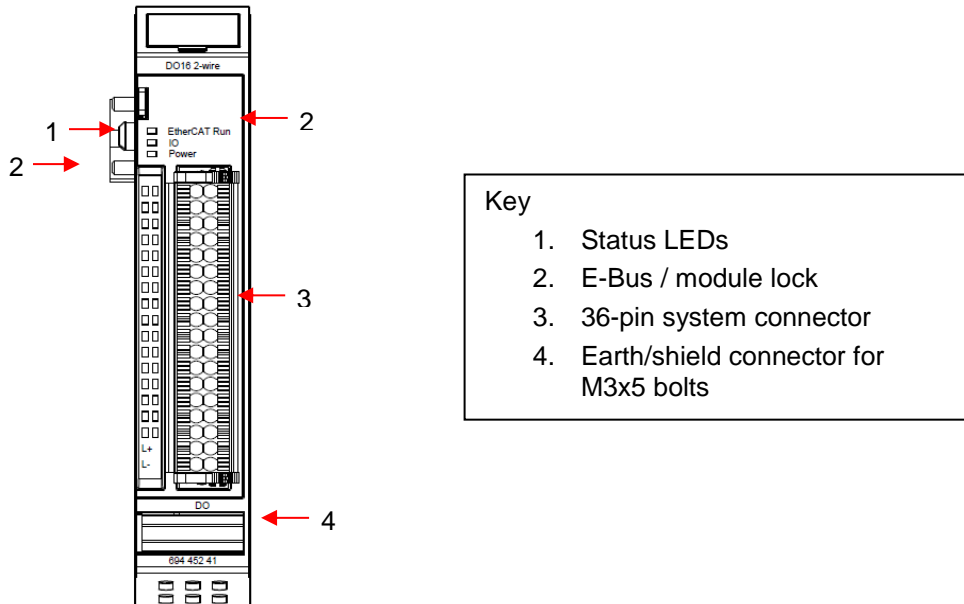


2.12 FIO DO16 2-Wire

2.12.1 Function

Digital output module with 16 outputs and und 0V 2-wire connector

2.12.2 Front View



2.12.3 Connectors

I/O Power Supply (Load)

System connector pin 16: L+ 24 VDC
 System connector pin 17: L- 0 V

Digital Outputs

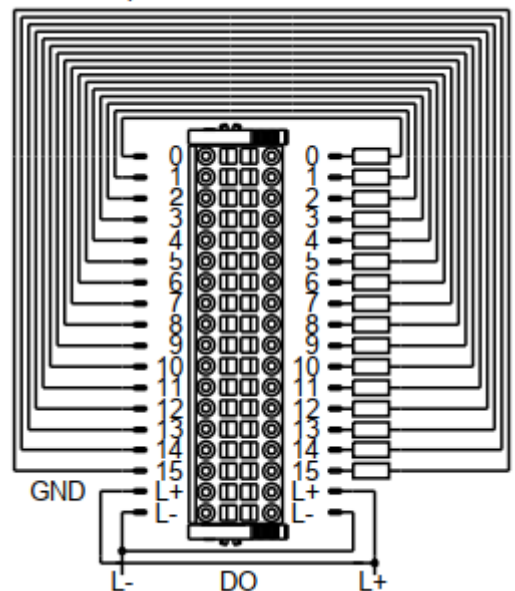
Right row of pins of system connector, pins 0...15

0V 2-wire Connector

Left row of pins of system connector, pins 0...15

EtherCAT

E-Bus IN female 10-pole connector
 E-Bus Out 10-pole multi-pin connector



NOTE

The output drivers have a thermal fuse to automatically turn off any short-circuited outputs. In case the short circuit prevails, the outputs are allowed to cool down to be turned back on until the thermal fuse blows again.

2.12.4 Status LEDs

LED "EtherCAT Run":

State	LED flash code	Explanation
Init	Off	Initialising, no data exchange
Pre-Op	Off/green, 1:1	Pre-operational, no data exchange
Safe-Op	Off/green, 5:1	Safe operation, inputs readable
Op	Green, on	Operational, unrestricted data exchange

LED "IO"

State	LED	Explanation
Ok	Off	No error
SC	Red, flashing	Short-circuited digital output

LED "Power"

State	LED	Explanation
On	Green	24 VDC supply to I/Os (load) ok
Off	Off	24 VDC supply not ok

LED "Channel"

State	LED	Explanation
On	On	Output enabled
Off	Off	Output disabled

2.12.5 Process Data Objects

Variable	Data type	Explanation
DigitalOutput0 ... DigitalOutput15	BOOL	Digital outputs 0 ... 15
DigitalInput0 ... DigitalInput15	BOOL	Digital inputs 0 ... 15

2.12.6 Technical Data

Digital outputs.....	16	(+16 x ground)
Max. current.....	1 A each	
Max. total current.....	10 A	
I/O / power connection.....	36-pin male	
EtherCAT slave controller.....	ASIC ET1200	
E-bus connector	10-pole system plug in side wall	
E-bus load.....	100 mA	
Power supply	24 VDC (-15% ... +20%)	
Electrical insulation.....	500V E-Bus / power supply	
Part no.	694.452.41	



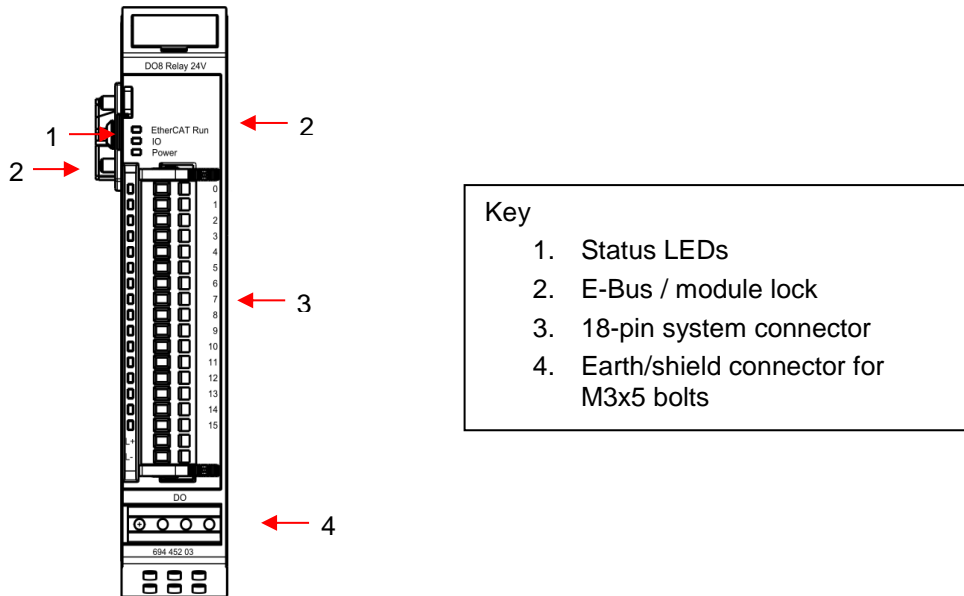
Permits:.....

2.13 FIO DO8 NO Relay 24V (Discontinued)

2.13.1 Function

Digital output module with 8 normally open relay outputs

2.13.2 Front View



2.13.3 Connectors

I/O Power Supply (Load)

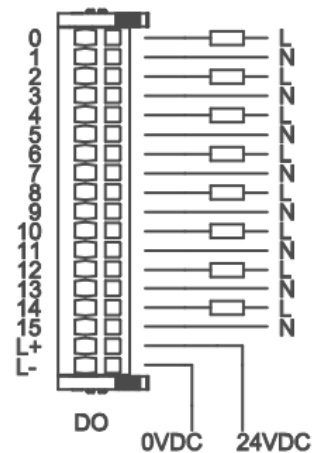
System connector pin 16: L+ 24 VDC
 System connector pin 17: L- 0 V

Relay Contacts

System connector pins 0 ... 15


A relay contact is located between 2 consecutive pins


Channel	0	1	2	3	4	5	6	7	
Pin	0	2	4	6	8	10	12	14	1
	1	3	5	7	9	11	13	15	



EtherCAT

E-Bus IN female 10-pole connector
 E-Bus Out 10-pole multi-pin connector

	NOTE
	<i>Low voltage stops the relays from switching and causes energised relays to de-energise.</i>

	NOTE
	<i>Operating the module near its limits (temperature/total current) will shorten the module's life. Check that the switching currents share well between the outputs, for example: avoid placing two 5A outputs immediately next to each other.</i>

2.13.4 Status LEDs

LED "EtherCAT Run"

State	LED flash code	Explanation
Init	Off	Initialising, no data exchange
Pre-Op	Off/green, 1:1	Pre-operational, no data exchange
Safe-Op	Off/green, 5:1	Safe operation, inputs readable
Op	Green, on	Operational, unrestricted data exchange

LED "IO"

No

LED "Power"

State	LED	Explanation
On	Green	24 VDC supply to I/Os (load) ok
Off	Off	24 VDC supply not ok

LED "Channel"

State	LED	Explanation
On	On	Output enabled
Off	Off	Output disabled

2.13.5 Process Data Objects

Variable	Data type	Explanation
DigitalOutput0 ... DigitalOutput7	BOOL	Digital outputs 0 ... 7

2.13.6 Technical Data

Digital outputs.....	8 normally open relays
Max. switching current (resistive)	5.0 A each
Max. switching current (inductive)	2.0 A each
Min. admissible load	10 mA @ 5 VDC
Min. mech. switching cycles	2 x 10 ⁷
Min. electr. switching cycles	3 x 10 ⁵ (2A/30 VDC)
Switching voltage.....	max. 24 VDC / VAC
I/O / power connection.....	male 18-pin
EtherCAT slave controller.....	ASIC ET1200
E-bus connector	10-pole system plug in side wall
E-bus load.....	130 mA
Power supply	24 VDC (-15% ... +20%)
Electrical insulation (module).....	500V E-Bus / power supply
Electrical insulation (relay).....	1500 VAC (<=1min) contacts / power supply 750 VAC (<=1min) between contacts
Part no.	694.452.03

Permits:.....

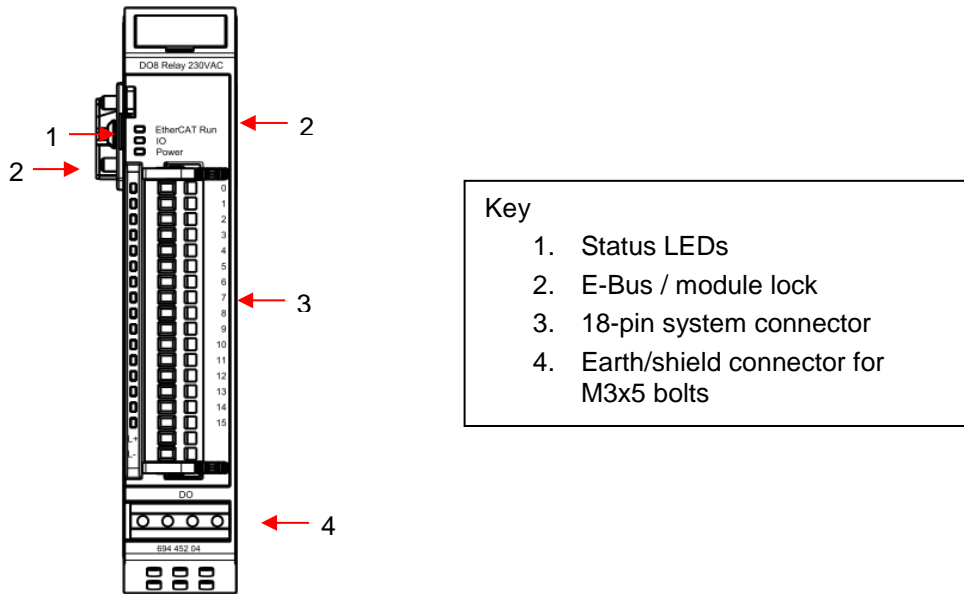


2.14 FIO DO8 NO Relay 230VAC (Discontinued)

2.14.1 Function

Digital output module with 8 normally open relay outputs

2.14.2 Front View



2.14.3 Connectors

I/O Power Supply (Load)

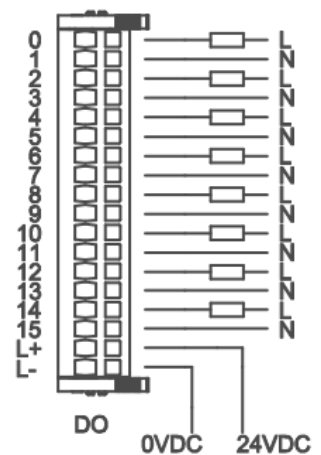
System connector pin 16: L+ 24 VDC
 System connector pin 17: L- 0 V

Relay Contacts

System connector pins 0 ... 15


A relay contact is located between 2 consecutive pins


Channel	0	1	2	3	4	5	6	7	
Pin	0	2	4	6	8	10	12	14	7
	1	3	5	7	9	11	13	15	



EtherCAT

E-Bus IN female 10-pole connector
 E-Bus Out 10-pole multi-pin connector

	NOTE
	<i>Low voltage stops the relays from switching and causes energised relays to de-energise.</i>

	NOTE
	<i>Operating the module near its limits (temperature/total current) will shorten the module's life. Check that the switching currents share well between the outputs, for example: avoid placing two 5A outputs immediately next to each other.</i>

2.14.4 Status LEDs

LED "EtherCAT Run":

State	LED flash code	Explanation
Init	Off	Initialising, no data exchange
Pre-Op	Off/green, 1:1	Pre-operational, no data exchange
Safe-Op	Off/green, 5:1	Safe operation, inputs readable
Op	Green, on	Operational, unrestricted data exchange

LED "IO"

No

LED "Power"

State	LED	Explanation
On	Green	24 VDC supply to I/Os (load) ok
Off	Off	24 VDC supply not ok

LED "Channel"

State	LED	Explanation
On	On	Output enabled
Off	Off	Output disabled

2.14.5 Process Data Objects

Variable	Data type	Explanation
DigitalOutput0 ... DigitalOutput7	BOOL	Digital outputs 0 ... 7

2.14.6 Technical Data

Digital outputs.....	8 normally open relays
Max. switching current (resistive)	5.0 A each
Max. switching current (inductive)	2.0 A each
Min. admissible load	10 mA @ 5 VDC
Min. mech. switching cycles	2 x 10 ⁷
Min. electr. switching cycles	3 x 10 ⁵ (2A/30 VDC)
Switching voltage.....	max. 24 VDC/ 230 VAC
I/O / power connection.....	male 18-pin
EtherCAT slave controller.....	ASIC ET1200
E-bus connector	10-pole system plug in side wall
E-bus load.....	130 mA
Power supply	24 VDC (-15% ... +20%)
Electrical insulation (module).....	500V E-Bus / power supply
Electrical insulation (relay).....	1500 VAC (<=1min) contacts / power supply 750 VAC (<=1min) between contacts
Part no.	694.452.04

Permits:.....

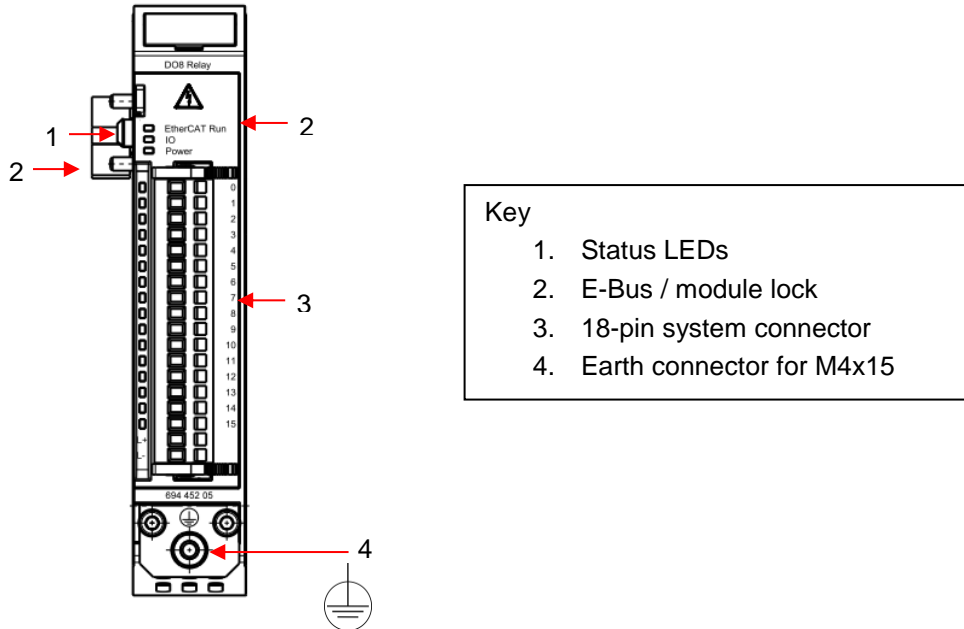


2.15 FIO DO8 Relais NO

2.15.1 Function

Digital output module with 8 normally open relay outputs

2.15.2 Front View



2.15.3 Connectors

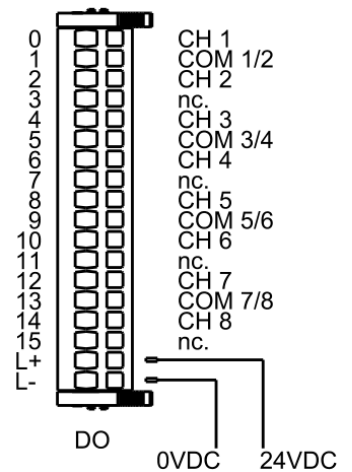
I/O Power Supply (Load)

System connector pin 16: L+ 24 VDC
 System connector pin 17: L- 0 V

Relay Contacts

System connector pins 0 ... 15
 2 relay contacts each have a common COM connection

Channel	1	2	3	4	5	6	7	8	
Contact Pin	0	2	4	6	8	10	12	14	
COM Pin	1		5		9		13		




EtherCAT

E-Bus IN female 10-pole connector
 E-Bus Out 10-pole multi-pin connector

2.15.4 Danger and warning notices


Electrical connection


	WARNING
	<p>Lethal risk of electric shock due to unearthed unit! <i>If units feature no or a badly installed PE terminal, high currents may occur on non-covered parts. Touching such parts may cause serious injury or death</i></p> <ul style="list-style-type: none"> ⇒ Properly connect the unit to earth. ⇒ Connecting the PE terminal is subject to the applicable national and local regulations.

Attach a protective earth conductor to provide for protection against indirect contact in case of a fault to frame. Connection is made to the 4 mm bolt on front of the device.

- Do use a crimp terminal lug (approved pursuant to DIN 46234, for example) for a 4 mm bolt matching the cross-section of the chosen cable.
- The cross-section of the protective conductor must have the same current carrying capacity as the mains circuit
- The connection to the earthing terminal should be as short as possible.
- Connecting the PE terminal is subject to the applicable national and local regulations.
- Apply a torque of 1,2 Nm to tighten the 4 mm bolt.
- If several FIO DO8 relay modules are connected in series, a protective conductor must be connected to each individual module.

	NOTE
	<p>Installation to conform to the protective earth connection regulations of IEC 61010-1!</p>

	WARNING
	<p>Cancellation of the electrical isolation <i>Connector pins 3, 7, 11 and 15 (n/c marked pins) must not be connected, as this leads to a loss of electrical isolation</i></p> <ul style="list-style-type: none"> ⇒ Observe the connection diagram

	WARNING
	<p>High electrical voltages due to incorrect connection <i>Changed pin assignment FIO DO8 Relay: The module with the order number 694 452 05 is not interchangeable with the modules with the order numbers 694 452 03 and 694 452 04.</i> <i>Danger to life, risk of injury from electric shock.</i></p> <ul style="list-style-type: none"> ⇒ Observe the connection diagram

2.15.5 Status LEDs

LED "EtherCAT Run":

State	LED flash code	Explanation
Init	Off	Initialising, no data exchange
Pre-Op	Off/green, 1:1	Pre-operational, no data exchange
Safe-Op	Off/green, 5:1	Safe operation, inputs readable
Op	Green, on	Operational, unrestricted data exchange

LED "IO"

No

LED "Power"

State	LED	Explanation
On	Green	24 VDC supply to I/Os (load) ok
Off	Off	24 VDC supply not ok


LED "Channel"


State	LED	Explanation
On	On	Output enabled
Off	Off	Output disabled

2.15.6 Process Data Objects

Variable	Data type	Explanation
RelayOutput1 ... RelayOutput8	BOOL	Digital relay outputs channel 1 ... 8
VoltageOK	BOOL	Supply voltage is within the valid range

2.15.7 Function Notes

	<p>NOTE</p> <p><i>Low voltage stops the relays from switching and causes energised relays to de-energise.</i></p>
---	--

	<p>NOTE</p> <p><i>Operating the module near its limits (temperature/total current) will shorten the module's life. Check that the switching currents share well between the outputs, for example: avoid placing two 5A outputs immediately next to each other.</i></p>
---	---

2.15.8 Technical Data

Digital outputs.....	8 normally open relays
Max. switching current (resistive)	5.0 A each
Max. switching current (inductive)	2.0 A each
Min. admissible load	10 mA @ 5 VDC
Min. mech. switching cycles	2 x 10 ⁷
Min. electr. switching cycles	3 x 10 ⁵ (2A/30 VDC)
Switching voltage.....	max. 24 VDC/ 230 VAC
I/O / power connection.....	male 18-pin
EtherCAT slave controller.....	ASIC ET1200
E-bus connector	10-pole system plug in side wall
E-bus load.....	130 mA
Power supply	24 VDC (-15% ... +20%)
Electrical insulation (module).....	500V E-Bus / power supply
Electrical insulation (relay).....	1500 VAC (<=1min) contacts / power supply 750 VAC (<=1min) between contacts
Part no.	694.452.05

Permits:.....



3 Appendix

3.1 Order data

3.1.1 Modules

Kuhnke FIO DI16 / DO16	694 400 10 / 184111
Kuhnke FIO DI16/DO16 1ms/0.5A	694.450.03 / 182.642
Kuhnke FIO DI16/DO16 5ms/0.5A	694.450.01 / 182.643
Kuhnke FIO DI16/DO16 1ms/0.5A LS.....	694.450.13 / 182.641
Kuhnke FIO DI32 1ms	694.451.02 / 182.644
Kuhnke FIO DI16 1ms	694.451.03 / 182639 / 196424
Kuhnke FIO DI16 1ms 2-Wire	694.451.43 / 196.425
Kuhnke FIO DI16 1ms 2-Wire GI	694.451.44 / 198.500
Kuhnke FIO DI8/DO8 1ms/0.5A	694.450.05 / 182.637
Kuhnke FIO DI8/DO8 5ms/0.5A	694.450.04 / 182.638
Kuhnke FIO DI16/DO8 1ms/1A	694.450.02 / 182.640
Kuhnke FIO DO8 1A.....	694.452.02 / 182.645
Kuhnke FIO DO8 2A.....	694.452.06 / 190.485
Kuhnke FIO DO16 0.5A	694.452.01 / 182.646
Kuhnke FIO DO16 1A 2-Wire	694.452.41 / 196.429
Kuhnke FIO DO8 Relay NO 24V	694.452.03 / 184.720
Kuhnke FIO DO8 Relay NO 230VAC	694.452.04 / 187.609
Kuhnke FIO DO8 Relay NO	694.452.05 / 203003

3.1.2 Accessories

Kuhnke FIO Shield Terminal 2x8mm	694 412 03 / 196445
Kuhnke FIO Shield Terminal 1x14mm	694 412 04 / 196446
Kuhnke FIO Shield Terminal 4x8mm	694 412 05 / 196448
Kuhnke FIO Shield Terminal 2x14mm	694 412 06 / 197524

Kendrion Kuhnke Automation GmbH
Industrial Control Systems

Lütjenburger Str. 101
D-23714 Malente

Tel.: +49 4523 402 0
Fax: +49 4523 402 201

sales-ics@kendrion.com
www.kendrion.com