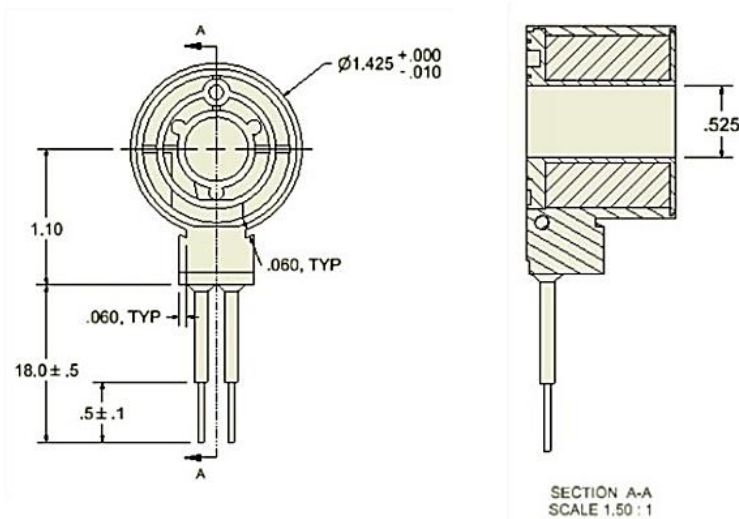


**CUSTOM SOLENOIDS & ACTUATORS**

Kendrion Mishawaka

## Encapsulated PWM Circuit Board Assembly

Kendrion has delivered solenoid solutions across many different industries. In this instance, the customer had an issue with the level of power being used in an application for alternative fuel systems in propane-powered public transportation busses and wanted Kendrion to analyze the situation to see if there was a better direction. The answer: an Encapsulated PWM Circuit Board Assembly (EPA). The highlights were an integrated PWM circuit that reduced power compared to the previous solution. Kendrion used a two-way valve in this application and had the PWM supply high voltage at the beginning. It then reduced voltage to conserve energy to produce a desirable outcome for the customer. The EPA has a voltage of 12V DC with a coil resistance of 10 Ohm. It was another successful solenoid solution for Kendrion.



### Technical Specification

<b>Solenoid Valve Type</b>	2-Way valve
<b>Media</b>	Propane
<b>Voltage</b>	12V DC
<b>Coil Resistance</b>	10 $\Omega$
<b>Materials and Finish</b>	PET – vacuum impreg. + PVC
<b>Package Size (H/D/W)</b>	1.4"/2.0"/1.7"
<b>Applications / Comments</b>	Alternative fuel systems

2015-08-05